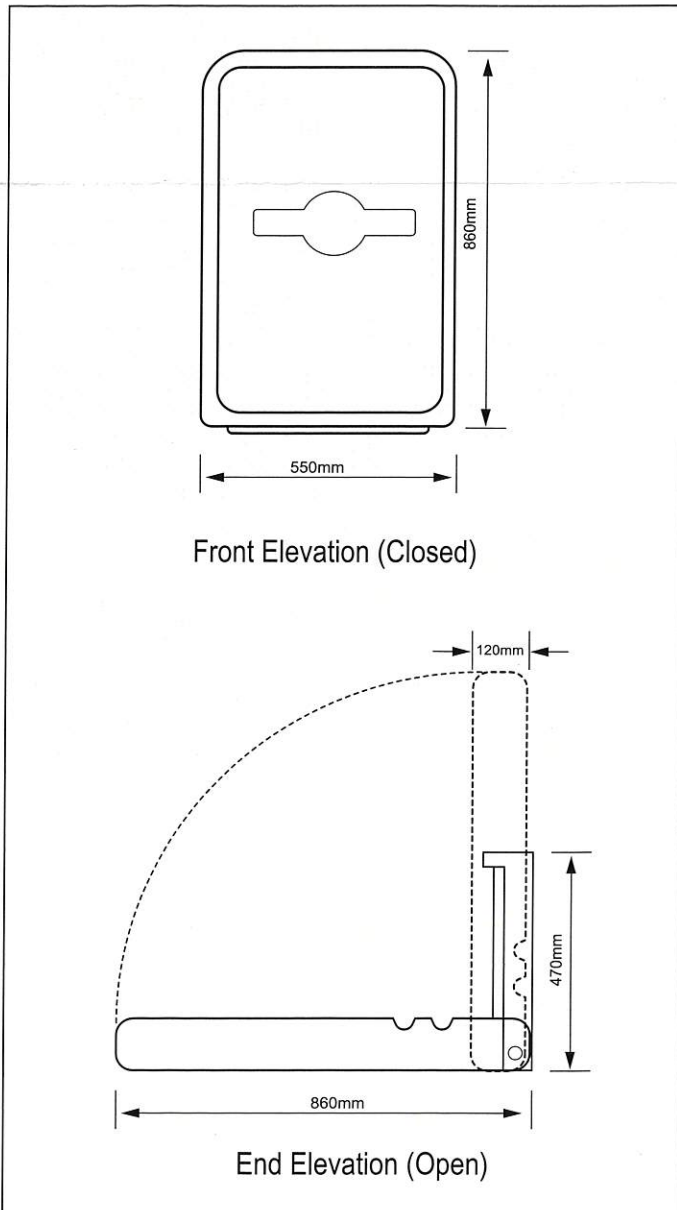


VERTICAL BABY CHANGE UNIT

Technical Specification

Product Code:
105167



Overall Dimensions

Open -550 long x 470 high x 860mm projection
Closed -550 long x 860 high x 120mm projection

Loading

15 KG load capacity in accordance with European Standard
EU 1221:2008+A1:2013.

Prior to installation

Inspect the box for transportation damage.

Verify that all parts are included. The package should contain:

- 1 Baby Changing Station
- 1 Hardware bag, containing:
 - 4 x hole plugs
 - 4 x M6 screws
 - 4 x expansion pipe
 - 4 x washers
- 1 x Installation manual

Check to see if wall is a suitable, load bearing wall that is capable of handling the 15kg load. The wall should also be dry, clean and flat, free of damp, mould, cracks or weaknesses. The space around will need to be checked to see whether it's suitable. Give everything a good clean prior to installation, to ensure the unit is hygienic.

Installation

The horizontal baby changing unit is surface fixed through recessed mounting holes in back panel. Wall construction and fixings (by installer) must be suitable to sustain transfer of rated unit loading. Mounting hole plug covers are supplied to conceal fasteners after installation. Detailed installation instructions are supplied with each unit.

Testing & Final Assembly

Open and close the unit several times to check for smooth operation.

Place a weight of approximately 15KG on the bed table and check that unit remains securely fastened and that there is no movement away from the wall.

Install the four hole plugs over the mounting screws using firm pressure.

If the installation instructions have been followed correctly the baby Changing unit is now safe and ready for use.

Maintenance

Thoroughly clean the unit daily with warm water and mild anti-bacterial detergent, rinse with clean water and dry. Do not use any abrasive cleaning agents.

Periodically inspect the unit to ensure that it remains securely attached to the wall, and that the integrity of the unit and the wall mounting has not been affected by vandalism or abnormal wear.